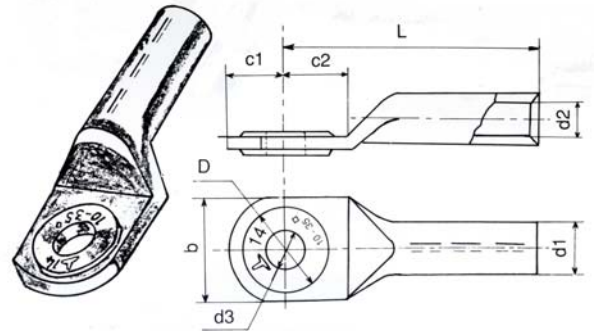




**Aluminium / Copper Cable -Lugs.**  
**(BI-Metallic-Insert type)**  
**for Aluminium conductors**  
**Acc. DIN 48201**  
**Material :AL. 99.5% -**  
**SE - Copper (O.F.)**  
**Surface : Bright**



Cond. Sec. mm <sup>2</sup>	code No. EMCL.	φ Bolt	φ Crimp. Die	DIMENSIONS in mm								Mech. 7mm crimp. Die	hyd. crimp. Die	Net Wt. For 100 pc. (kg)	No. of pcs. per box	Box gross wt. Kg
				C1	C2	d1	d2	d3	L	b	D					
25	B25/8	M 8	12	12.5	12.5	12	6.8	8.5	61	22.5	17.5	5	2	1.95	600	12.4
35	B35/10	M 10	14	14.5	16	14	8	10.5	67	26	21	5	2	3.08	465	15.0
50	B50/10	M 10	16	14.5	16.5	16	10	10.5	72	27	21	5	2	3.60	375	14.2
70	B70/12	M 12	18	16.5	18	18	11.5	13	86	32	24.5	6	3	5.80	230	14.0
95	B95/12	M 12	22	17.5	19	22	13.5	13	90	35	26.5	6	3	9.50	170	16.9
120	B120/12	M 12	22	16.5	19	22	15	13	91	35	26.5	6	3	8.70	180	16.4
150	B150/12	M 12	25	18.5	21.5	25	16.5	13	103	35	26.5	6	3	12.20	100	12.9
185	B185/12	M 12	28	22	22.5	28	18.5	13	106	40	26.5	6	3	15.00	90	14.2
240	B240/12	M 12	32	24.5	26	32	21	13	116	45	31	8	3	20.00	70	14.7
	B240/16	M 16	32	25.5	26	32	21	17	116	45	31	8	3	21.00	70	15.4
300	B300/12	M 12	34	24.5	24.5	34	23.3	13	124	51	33	8	3	21.60	60	13.7
	B300/16	M 16	34	24.5	24.5	34	23.3	17	124	51	33	8	3	21.60	60	13.7
400	B400/16	M 16	38	30.5	32	38	26	17	165	58	33		4	35.00	35	13.0

For Non - Standard bolt Sizes, Min Order quantity is 2000pcs.