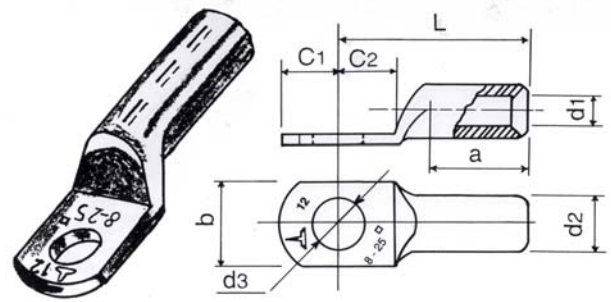




Aluminium Cable -lugs.
for Aluminum conductors
Acc. DIN 48201
Material :AL. 99.5%
(Alloy 1050)
Surface : Bright



Cond. Sec. mm ²	code No. EMCL.	φ Bolt	φ Crimp. Die	DIMENSIONS in mm							Mech. 5mm crimp. Die	hyd. crimp. Die	Net Wt. For 100 pc. (Kg)	No. of pcs. per box	Box gross wt. Kg
				C1	C2	d1	d2	d3	L	b					
16	A16/8	M 8	12	9.5	12	5.5	12	8.5	52	18	4	2	1.31	815	12.1
25	A25/8	M 8	12	9.5	12	6.8	12	8.5	60	18	4	2	1.41	800	12.0
35	A35/10	M 10	14	11.2	14.5	8	14	10.5	67	21	5	2	2.08	600	13.2
50	A50/10	M 10	16	14	14.5	10	16	10.5	72	25	5	2	2.68	375	10.8
70	A70/12	M 12	18	15	17.5	11.5	18	13	86	28	6	3	4.27	290	13.1
95	A95/12	M 12	22	15.5	18	13.5	22	13	90	32	6	3	7.50	185	14.5
120	A120/12	M 12	22	16	17	15	22	13	91	32	6	3	6.68	185	13.1
150	A150/12	M 12	25	17.5	21.5	16.5	25	13	103	35	6	3	9.64	140	14.2
185	A185/16	M 16	28	21.5	25	18.5	28	17	106	40	6	3	11.92	90	11.4
240	A240/16	M 16	32	23.5	26	21	32	17	116	45	8	3	17.60	70	13.0
300	A300/16	M 16	34	24	25	23.3	34	17	124	49	8	3	17.50	60	11.2
400	A400/20	M 20	38	30.5	32	26	38	21	165	58		4	31.90	35	11.9
500	A500/20	M 20	44	30	31.5	29	44	21	185	60		4	54.00	20	11.5

For Non - Standard bolt Sizes, Min Order quantity is 2000pcs.