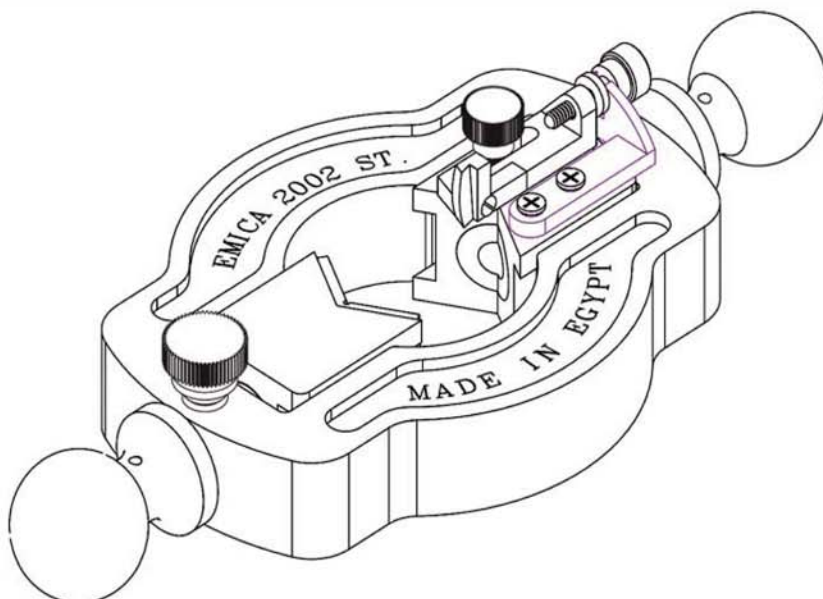




# CABLE STRIPPING TOOL

## EMICA 2002 ST.

SER.	PART DESCRIPTION	QTY.
1	STRIPPING TOOL BASIC BODY	1
2	HANDLE (Both are rotating to adjust the cable diameter)	2
3	FIXING SCREW	2
4	SPINDLE	2
5	PIN $\phi$ 3 X 21	2
6	MOVING JAWS	1
7	SETTING SCREW.	1
8	BLADE FIXING SCREW.	1
9	BLADE FOR REMOVAL OF WELL BONDED CABLE SCREENS	1
10	BLADE GUIDE	1
11	DETACHABLE RACK	1



### Application :

**EMICA 2002 ST**, is a manual Cable stripping tool, for removal of , Semi -Conductive Screens of XLPE Cables.

### Benefits :

- 1-Aminimum of remaining semicon Up to the metal screen.
- 2-Light weight
- 3-Easy to handle - as a built in feed is provided.

### Technical Data :

Type	Range of cable Diameter Over Outer Simi-con. In (mm)	Weight of tool in (KG)	Minimum Length of Semi-Con. In (mm)
<b>EMICA 2002 ST.</b>	<b>18 - 45</b>	<b>1.45</b>	<b>32</b>

### Notes :

- 1- For the removal process , the cable must be aligned straight.
- 2- To have the tool move smoothly , apply a thin layer of Silicon grease to bonded screen.